



# RECHARGEABLE LITHIUM-ION BATTERY CELL GENERAL SPECIFICATIONS

## CHANGDE YIKLIK ENERGY LIMITED

Tel: (86) 736-433 8338

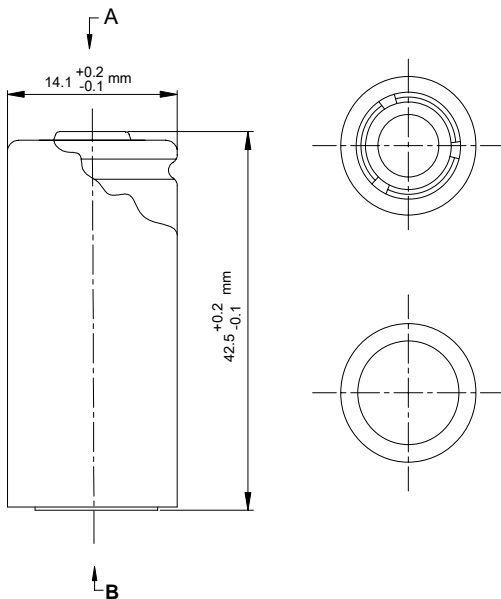
Fax: (86) 736-433 8333

Battery Cell Model: NCR14430A105 A

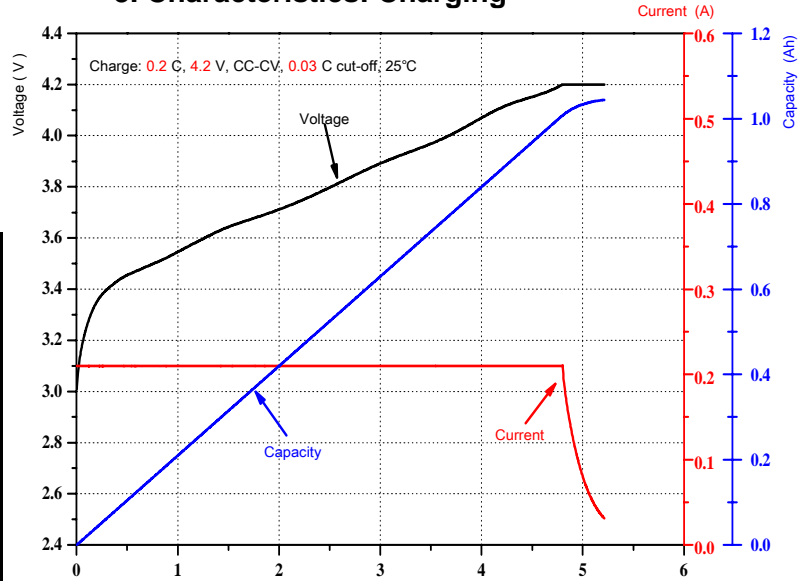
### 1. Specifications

1.1	Nominal Capacity	1050 mAh
1.2	Minimum Capacity	1000 mAh
1.3	Nominal Voltage	3.6 V
1.4	Internal Impedance	≤ 65 mΩ
1.5	Energy	≤ 3.78 Wh
1.6	Standard Charging	210 mA
1.7	Quick Charging	735 mA (0.7 C)
1.8	Charging Voltage	4.2 V
1.9	Continuous Discharging	2 A
1.10	Discharge Cut-off Voltage	2.50 V
1.11	Battery Cell Weight	≤ 19 g

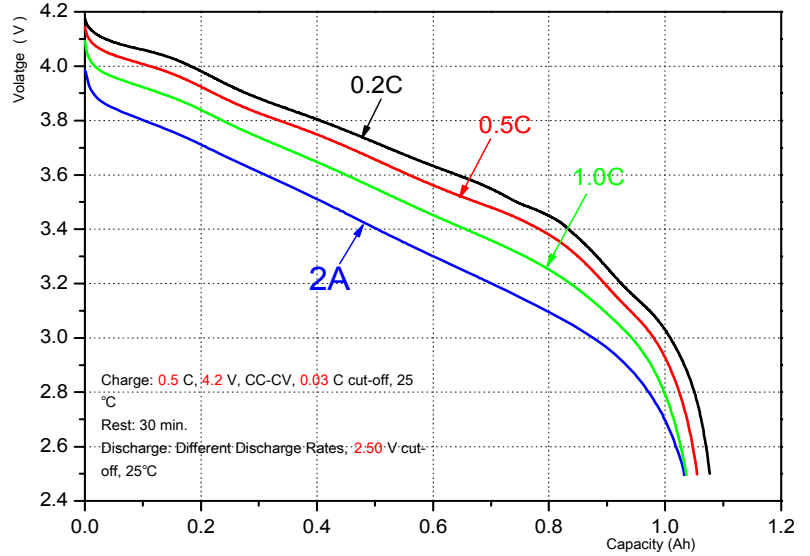
### 2. Product Drawing



### 3. Characteristics: Charging



### 4. Characteristics: Different Discharge Rates



### 5. Characteristics: Cycle Life

