



# RECHARGEABLE LITHIUM-ION BATTERY CELL GENERAL SPECIFICATIONS

## CHANGDE YIKLIK ENERGY LIMITED

Tel: (86) 736-433 8338

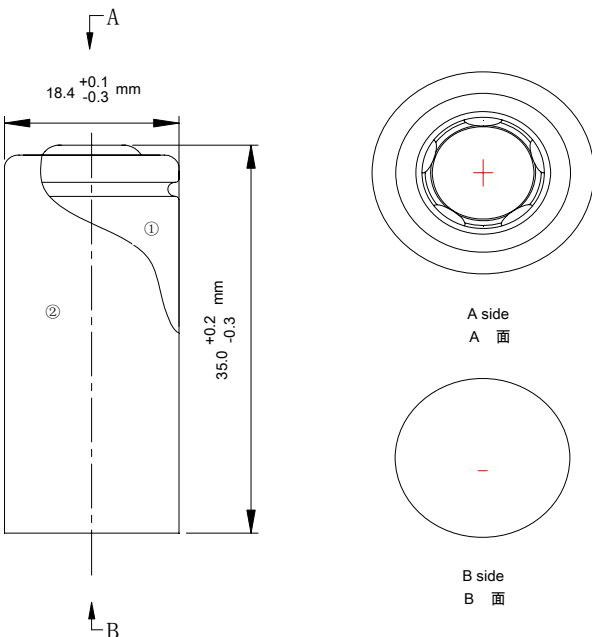
Fax: (86) 736-433 8333

Battery Cell Model: NCR18350D110 DT

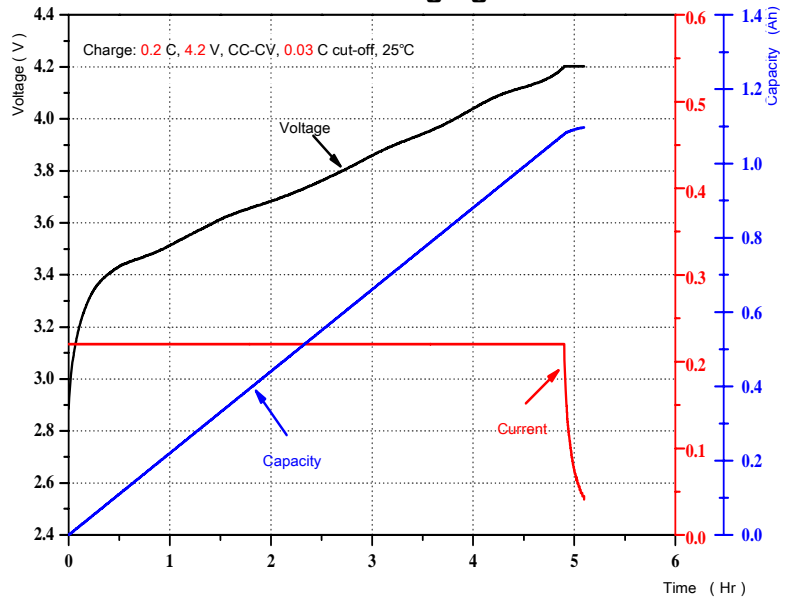
### 1. Specifications

|      |                           |                |
|------|---------------------------|----------------|
| 1.1  | Nominal Capacity          | 1100 mAh       |
| 1.2  | Minimum Capacity          | 1080 mAh       |
| 1.3  | Nominal Voltage           | 3.6 V          |
| 1.4  | Internal Impedance        | ≤ 26 mΩ        |
| 1.5  | Energy                    | ≤ 3.96 Wh      |
| 1.6  | Standard Charging         | 220 mA         |
| 1.7  | Quick Charging            | 770 mA (0.7 C) |
| 1.8  | Charging Voltage          | 4.2 V          |
| 1.9  | Continuous Discharging    | 10A            |
| 1.10 | Discharge Cut-off Voltage | 2.50 V         |
| 1.11 | Battery Cell Weight       | ≤ 24 g         |

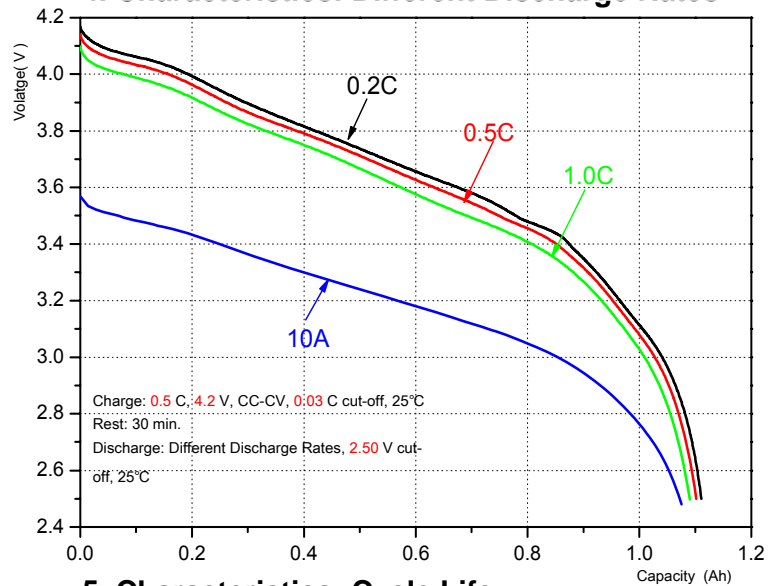
### 2. Product Drawing



### 3. Characteristics: Charging



### 4. Characteristics: Different Discharge Rates



### 5. Characteristics: Cycle Life

